

Lingguang G2 Solar panel intelligent cleaning robot

PREPONDERANCES

• Intelligent vision system

Self-developed owl intelligent vision system "owl eyes", relying on the RGBD depth camera, AI recognition algorithm, SLAM and other cutting-edge technologies and algorithms, Automatic identification of usage scenarios, Build and plan the optimal path in real time to realize intelligent automatic cleaning.

• Real-time video image transmission

Wireless graphics transmission distance of 1000 meters, omnidirectional dual transmission, effectively solve the non-line-of-sight, large delay, instability and other problems.

• High protection and corrosion protection

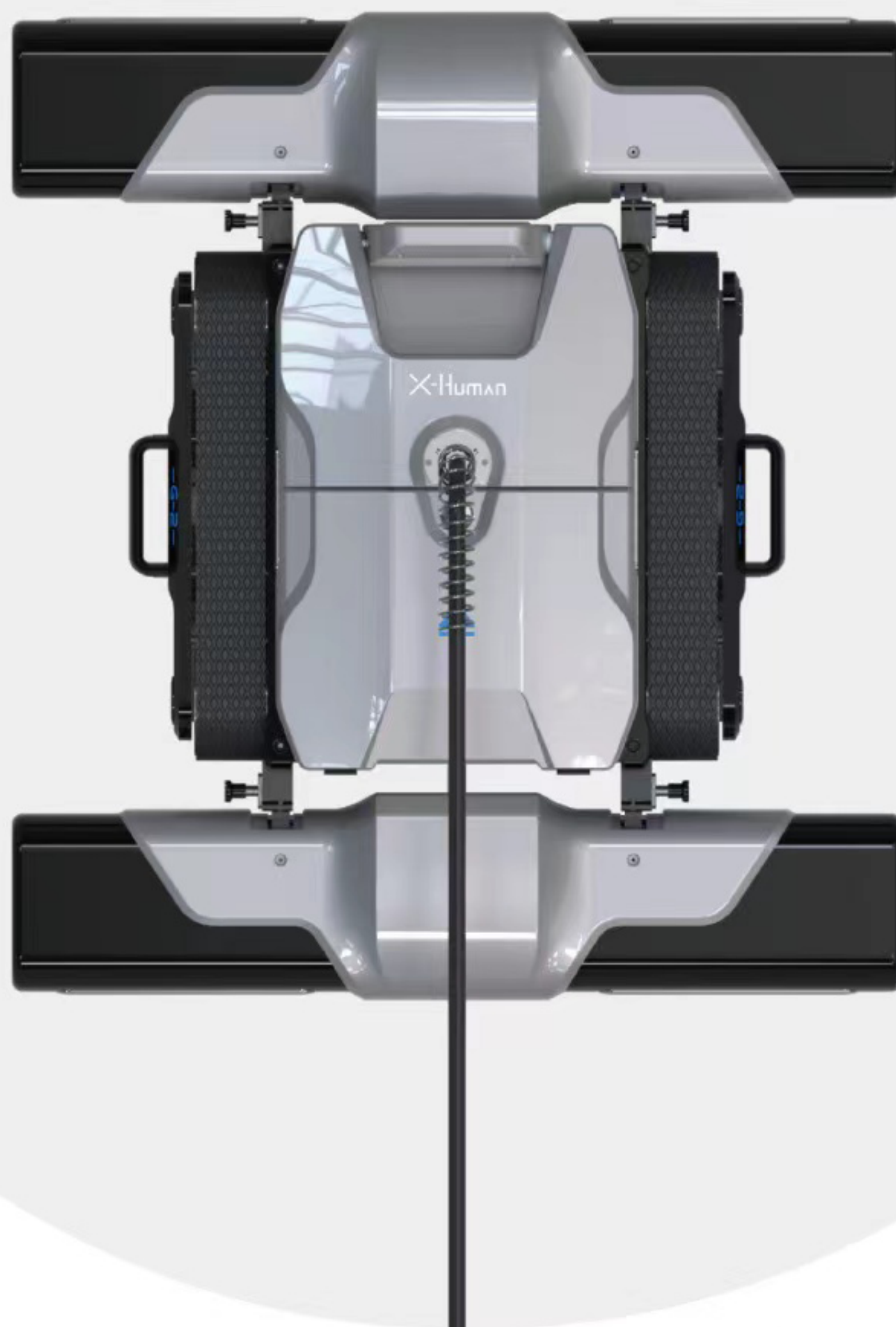
Protection grade IP65, good waterproof and dustproof sealing, corrosion grade C4, adapt to harsh scenes, ensure product life.

• Excellent quality

The line and accessories of the machine are all made of car grade products.

• Battery life

Battery capacity 60AH, full charge for 8 hours, cleaning 1000 square meters per hour.



PARAMETERS

Version: Lingguang G2 (Automatic and manual)

Size: 1100mm×1000mm×300mm

Weight: 40 KG

Working slope: 0~15°

Overcome obstacles: 5cm

Speed of travel: 0.3m/s

Cleaning efficiency: 1000 m² /h

Fixed mode: No fixation

Time of endurance: 8H/one battery

Rated power: 170W

Mode of travel: Electric machine+Crawler track

Operating ambient temperature: -10°C~45°C

Power supply: Built-in battery(24V 60AH)

Water supply mode: Connect water pipes

Cleaning material: Solar panel

Width of cleaning surface: 1m

Power-off protection: Low battery reminder

Application scenario: Small sized solar power stations

Water consumption: Dry cleaning and water washing

Control equipment: Yes

Cleaning components: Yes

Camera: Yes

